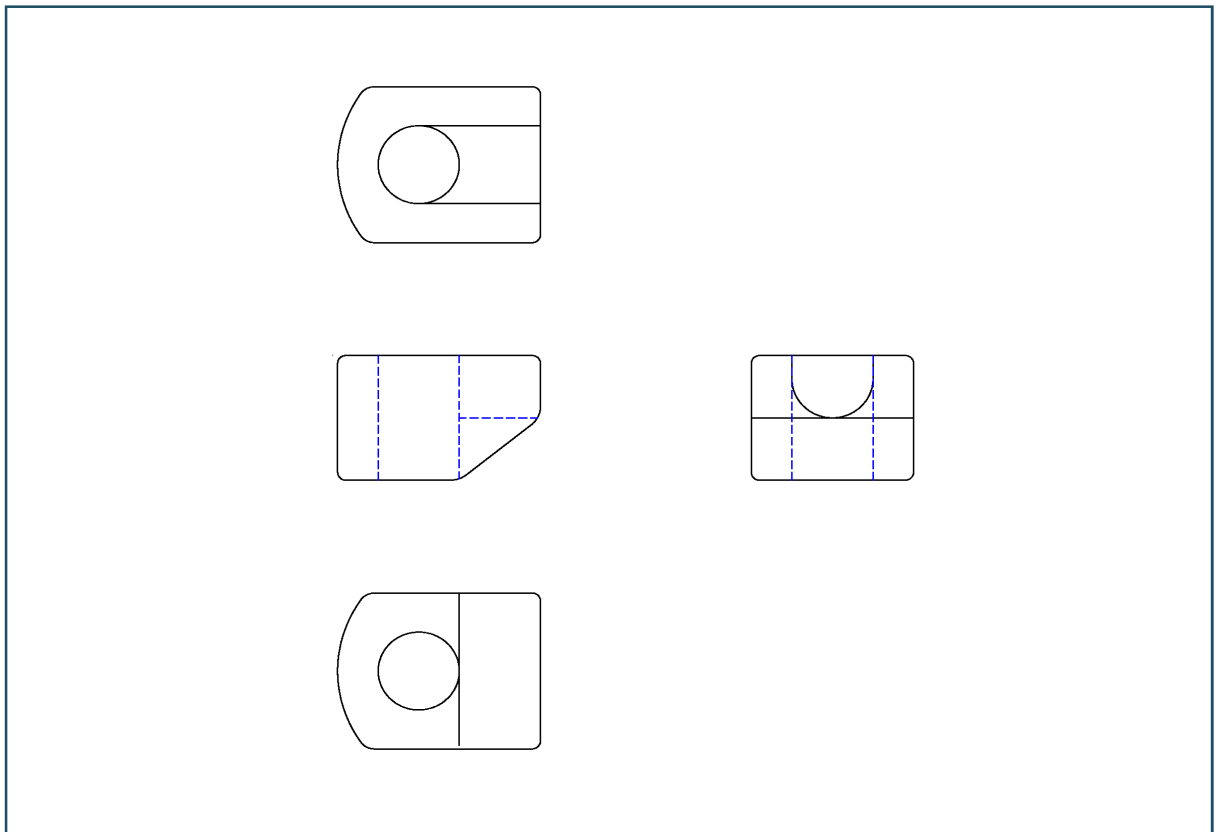


# AUDIOLITE® Partial Incus

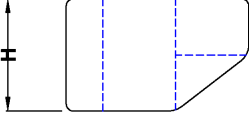
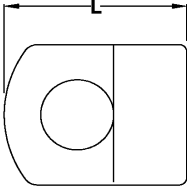
CODE  
INCUS 07.32

AUDIOLITE® : Bioactive calcium hydroxylapatite ceramic

The prosthesis can be used everywhen a part of the long apophysis misses.  
Its wedge shape allows the insertion between the remaining incus and the stapes head.  
Its reduced surface allows a better view of the stapes head during the positioning.



**Packaging**  
Dispenser box containing 6 sterile,  
individually packaged implants.

	Dimensions	Code
	H = 1.60 mm L = 2.50 mm	INCUS 07.32

