

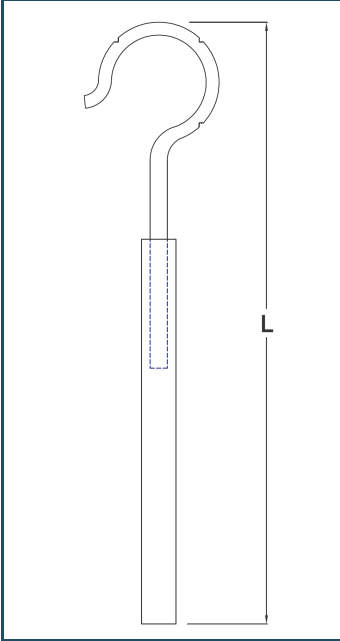
# Trimmable Titanium and PTFE Prosthesis for Stapedotomy and Stapedectomy

CODE  
SPL 03.27S

PTFE: Polytetrafluorethylene  
Designed by D. Cuda - Italy

**Dimensions**  
Total length: 7.00 mm  
trimmable to 4.25 mm.  
Piston diameter: 0.4 mm.

**Packaging**  
Dispenser box containing 6  
sterile, individually  
packaged implants.

	Total length (L) mm	Code
	7.00 mm trimmable to 4.25 mm	SPL 03.27S

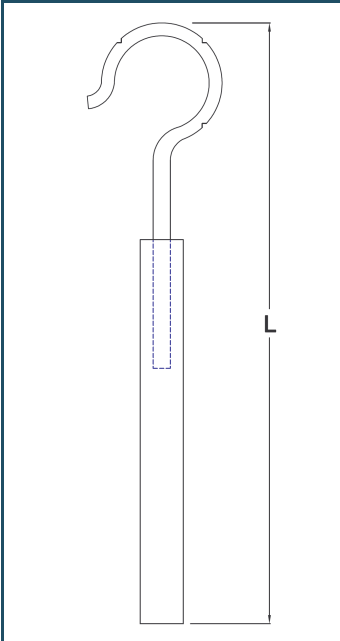
# Trimmable Titanium and PTFE Prosthesis for Stapedotomy and Stapedectomy

CODE  
SPL 03.28S

PTFE: Polytetrafluorethylene  
Designed by D. Cuda - Italy

**Dimensions**  
Total length: 7.00 mm  
trimmable to 4.25 mm.  
Piston diameter: 0.5 mm.

**Packaging**  
Dispenser box containing 6  
sterile, individually  
packaged implants.

	Total length (L) mm	Code
	7.00 mm trimmable to 4.25 mm	SPL 03.28S

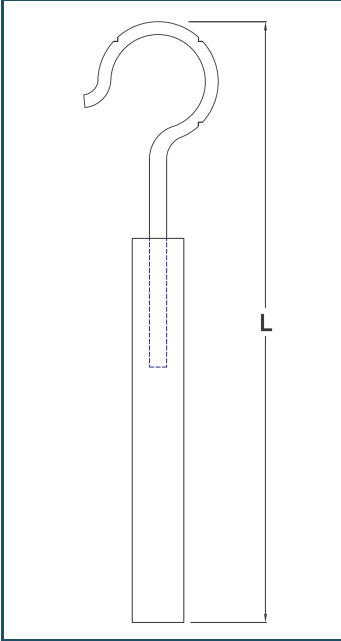
## Trimmable Titanium and PTFE Prosthesis for Stapedotomy and Stapedectomy

CODE  
SPL 03.29S

PTFE: Polytetrafluorethylene  
Designed by D. Cuda - Italy

**Dimensions**  
Total length: 7.00 mm  
trimmable to 4.25 mm.  
Piston diameter: 0.6 mm.

**Packaging**  
Dispenser box containing 6  
sterile, individually  
packaged implants.

	Total length (L) mm	Code
	7.00 mm trimmable to 4.25 mm	SPL03.29S

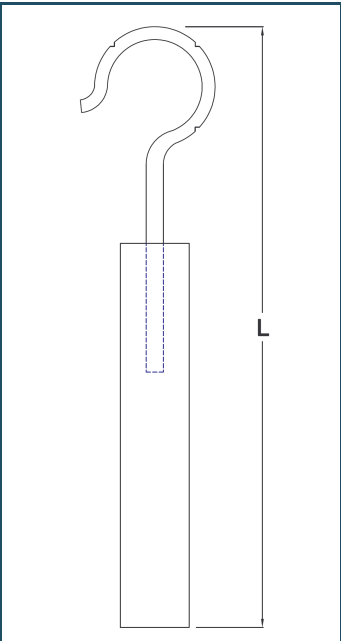
CODE  
SPL 03.30S

## Trimmable Titanium and PTFE Prosthesis for Stapedotomy and Stapedectomy

PTFE: Polytetrafluorethylene  
Designed by D. Cuda - Italy

**Dimensions**  
Total length: 7.00 mm  
trimmable to 4.25 mm.  
Piston diameter: 0.8 mm.

**Packaging**  
Dispenser box containing 6  
sterile, individually  
packaged implants.

	Total length (L) mm	Code
	7.00 mm trimmable to 4.25 mm	SPL 03.30S