

Porous AUDIOLITE® and PTFE Adjustable Total Prosthesis

CODE
TAP 07.35

Audiolite®: Bioactive calcium hydroxylapatite ceramic
PTFE: Polytetrafluorethylene

PATENTED

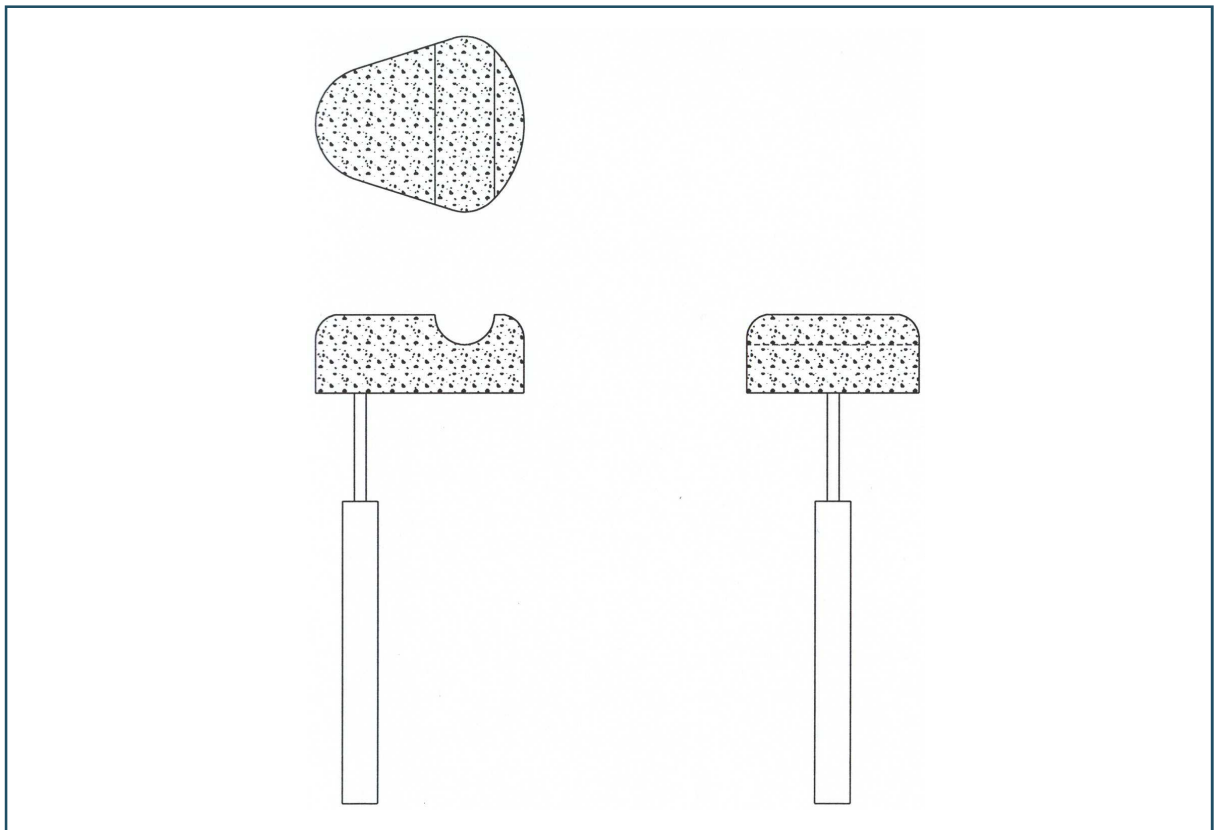
The flange porosity allows two contemporary fixation processes

- physical link: from the incus by osteoconduction or from the neotympanum by the pores inlet into the connective tissue
- chemical link: by hydroxylapatite bioactivity.

Porosity allows a 50% weight saving.

The columella is made of a lower end in PTFE and a platinum joint allowing both the covering of the corner between neotympanum and columella and the displacement of the columella to have a view of the oval window.

The PTFE lower end can be trimmed using a cutting blade from mm. 8.0 to mm. 3.25.

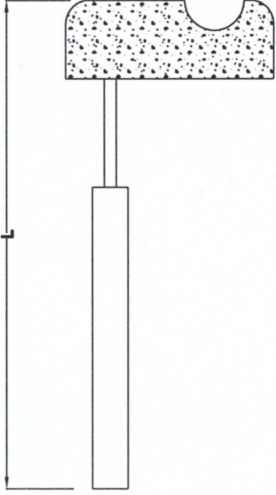


Dimensions

Total length(mm):
8.00 mm trimmable to 3.25 mm
Flange diameter: 3.50 mm
Platinum wire diameter: 0.20 mm
PTFE diameter: 0.60 mm

Packaging

Dispenser box containing 6 sterile,
individually packaged implants.

	Total length (L) mm	Code
	From 8.00 mm to 3.25 mm	TAP 07.35

