

CODE
TAP 07.13

Audio-HA® 90° Oval Head Total Prosthesis

HA: Bioactive calcium hydroxylapatite ceramic

It replaces the entire ossicular chain, from the malleus or the tympanic membrane to the stapes footplate with or without the interposition of the malleus.

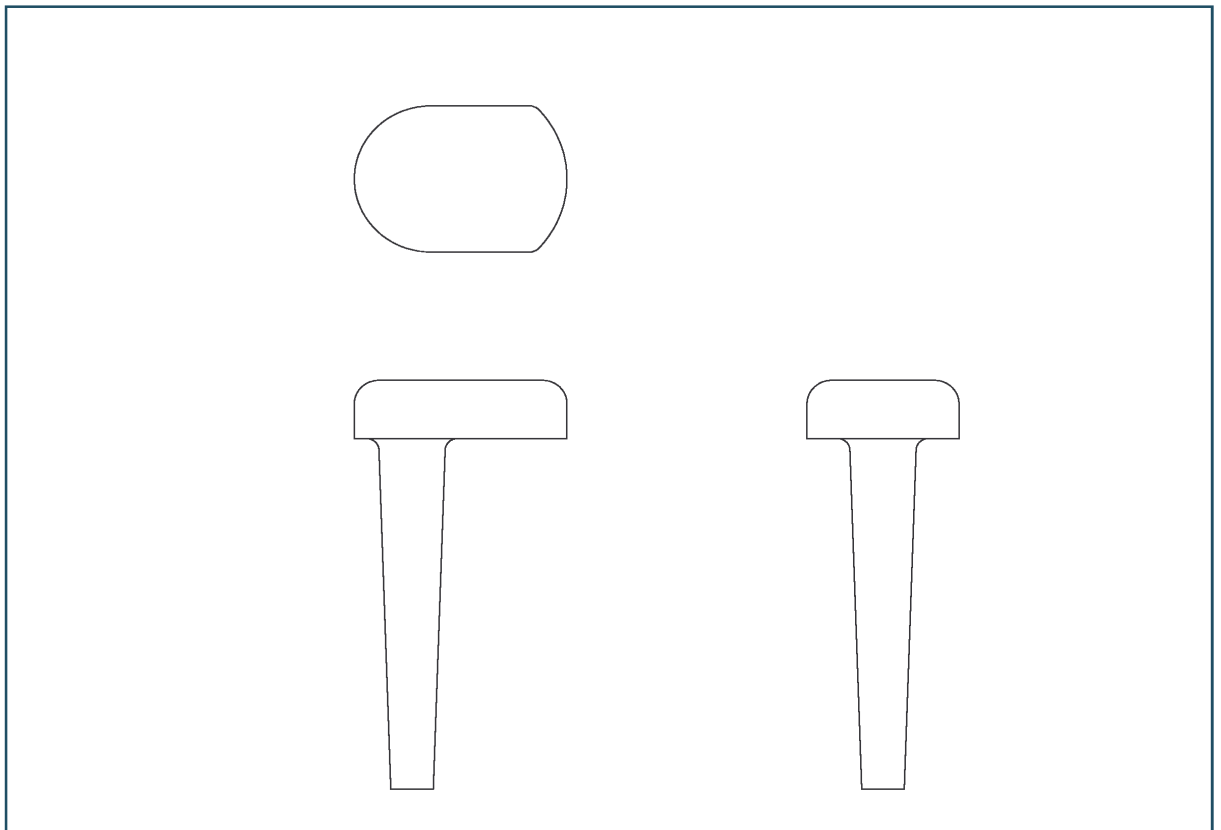
The interposition of cartilage or bone paste between the flange and the tympanic membrane is not required.

The offset columella and the shape of the flange make it possible to see the oval window while positioning the prosthesis.

The oval design of the flange prevents sharp corner from coming in contact with the tympanic membrane.

The thickness of the flange allows the creation of an indentation for the handle of the malleus (use a diamond bur under continuous irrigation).

The flange can be bound to the tympanic membrane by fibrin glue.



Dimensions

Total length (mm):

5.00 - 5.50 - 6.00

6.50 - 7.00 - 7.50 - 8.00

Flange maximum length: 3.50 mm

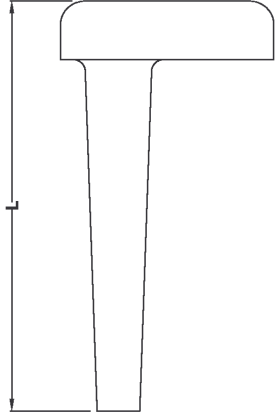
Flange width: 2.50 mm

Flange thickness: 1.00 mm

Columella distal end diameter: 0.75 mm

Packaging

Dispenser box containing 6 sterile, individually packaged implants.

	Total length (L) mm	Code
	5.00	TAP 07.13.500
	5.50	TAP 07.13.550
	6.00	TAP 07.13.600
	6.50	TAP 07.13.650
	7.00	TAP 07.13.700
	7.50	TAP 07.13.750
	8.00	TAP 07.13.800

