

Audio-PE® Total Prosthesis

CODE
TAP 07.09

PE: High molecular weight porous polyethylene with pores of approximately 100 microns.
This material stimulates the ingrowth of connective tissue and blood vessels.

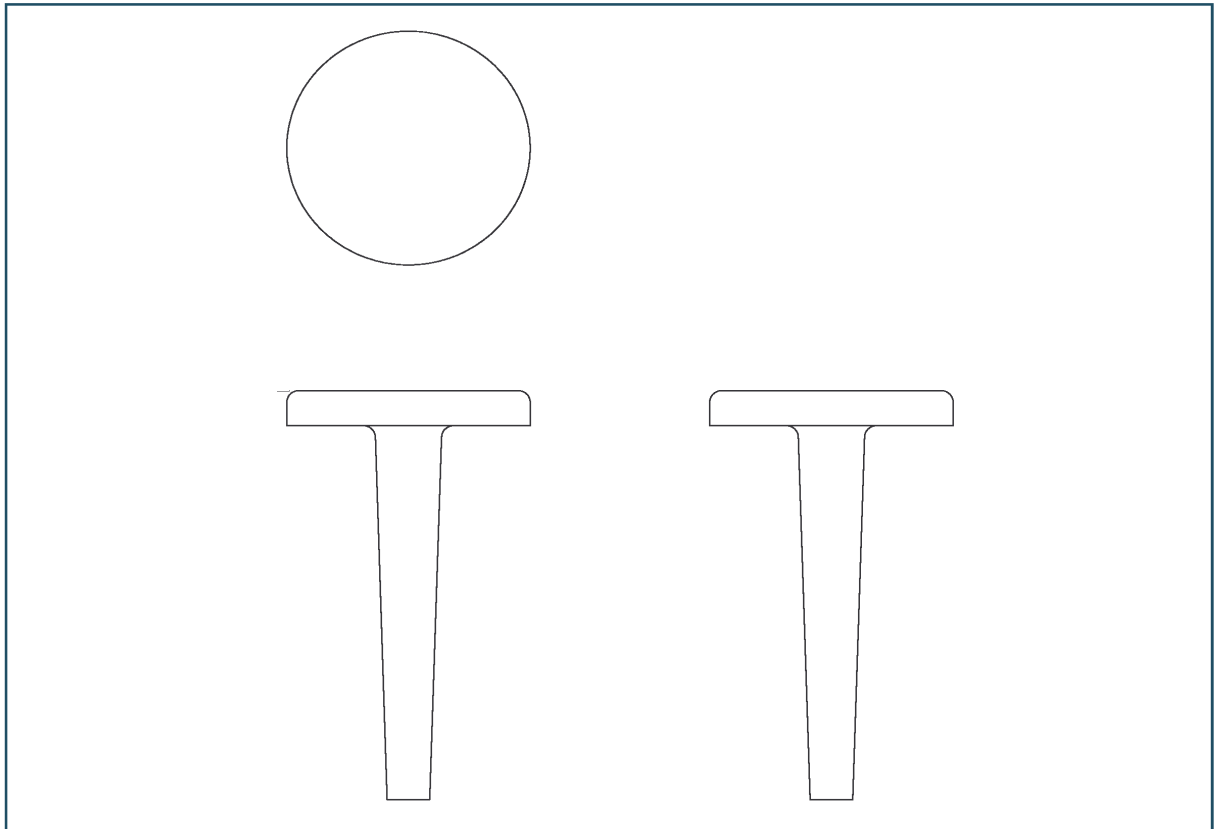
Prosthesis for the replacement of the entire ossicular chain, from the tympanic membrane to the oval window.

In order to avoid extrusion, an autogenous cartilage graft must be interposed between the flange of the prosthesis and the tympanic membrane.

The newly formed connective tissue will bind

the flange of the prosthesis to the tympanic membrane and the distal end of the prosthesis to the footplate of the stapes or to the graft which replaces it.

After measuring (Microsurgical Measuring Device: Catalog Number 02.14), the prosthesis may be trimmed by means of a cutting blade.

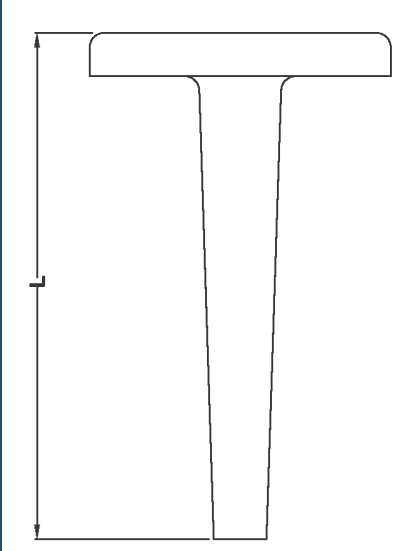


Dimensions

Total length:
6.00 mm. (trimmable to 5.00 mm.)
7.00 mm. (trimmable to 6.00 mm.)
8.00 mm. (trimmable to 7.00 mm.)
Flange diameter: 4.00 mm.
Flange thickness: 0.60 mm.
Columella distal end
diameter: 0.70 mm.

Packaging

Dispenser box containing 6 sterile,
individually packaged implants.

	Total length (L) mm	Code
	6.00	TAP 07.09.600
	7.00	TAP 07.09.700
	8.00	TAP 07.09.800

