

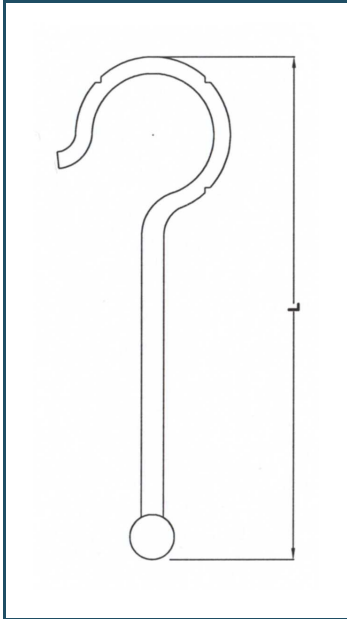
Platinum Prosthesis for Stapedectomy

CODE
SPL 03.13

The hook of this prosthesis is made of 999‰ fine platinum ribbon. Platinum is a highly malleable and well tolerated metal. The lower extremity of the stem is sphere shaped for a soft contact with the new membrane of the oval window.

Dimensions
Total length (mm):
4.00 - 4.50 - 5.00
Platinum sphere diameter: 0.4 mm.

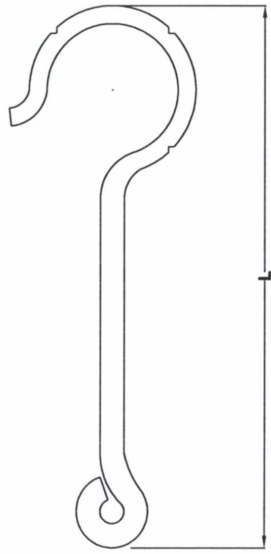
Packaging
Dispenser box containing 6 sterile, individually packaged implants.

	Total length (L) mm	Code
	4.00	SPL 03.13.400
	4.50	SPL 03.13.450
	5.00	SPL 03.13.500

Platinum Prosthesis for Stapedectomy

CODE
SPL 03.15

This prosthesis is made of 999‰ fine platinum ribbon. Platinum is a highly malleable and well tolerated metal. The lower extremity of the stem is loop shaped to provide anchorage to the new membrane of the oval window.

	Total length (L) mm	Code
	4.00	SPL 03.15.400
	4.50	SPL 03.15.450
	5.00	SPL 03.15.500

Dimensions
Total length (mm):
4.00 - 4.50 - 5.00
Platinum loop diameter: 0.4 mm.

Packaging
Dispenser box containing 6
sterile, individually
packaged implants.