

Platinum Prosthesis For Stapedotomy

CODE
SPL 03.05

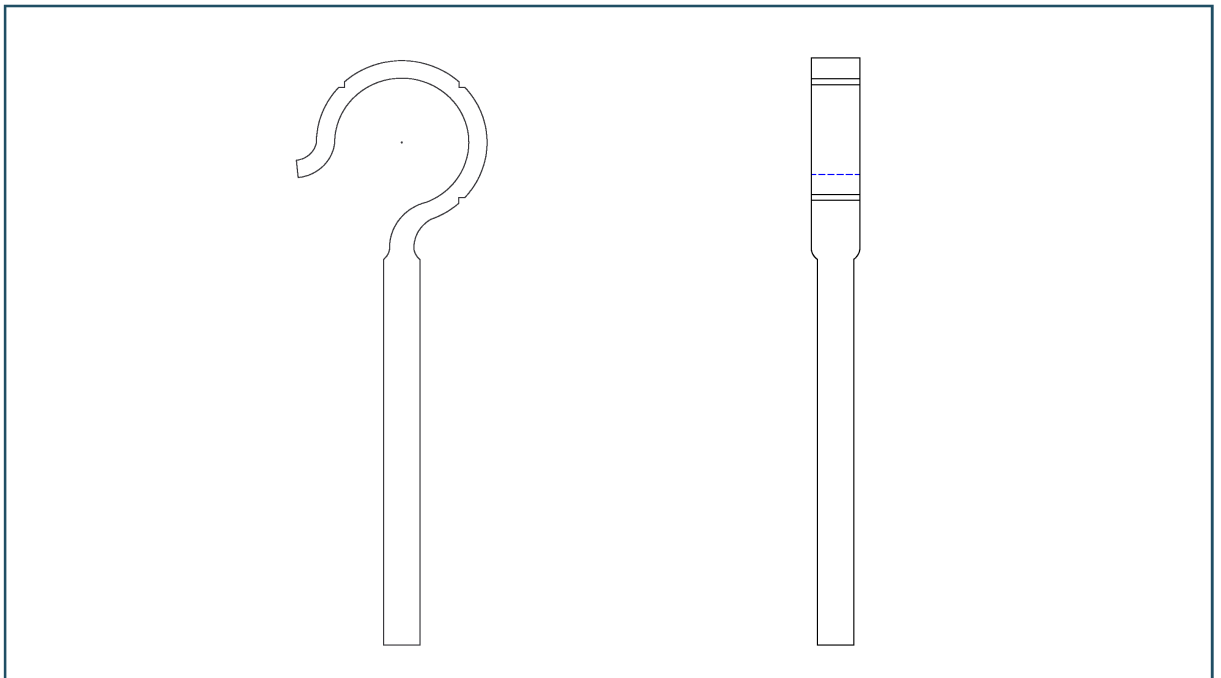
This prosthesis is made entirely of 999‰ fine platinum ribbon.

Platinum is a highly malleable and well tolerated metal.

The hook has three transverse grooves: under slight pressure of a small forceps it bends only in the three points corresponding to the grooves

gently wrapping the long process of the incus without causing ischemia and without the danger of anomalous closures.

After measuring (Microsurgical Measuring Device: Catalog Number 02.14), the length of the prosthesis may be trimmed.

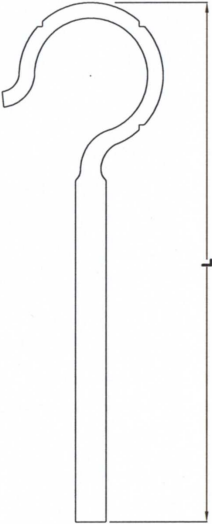


Dimensions

Total length: 6.00 mm
Piston diameter: 0.30 mm

Packaging

Dispenser box containing 6 sterile, individually packaged implants.

	Total length (L) mm	Code
	6.00	SPL 03.05

