

TITANIUM / HAP Partial

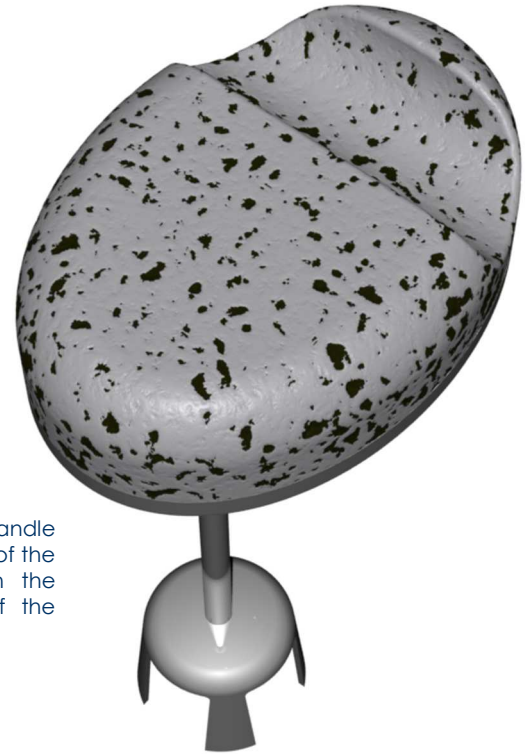
CODE
PAP 07.66

Ti: Titanium ASTM F67 Gr. 2
HAP: Porous Hydroxylapatite

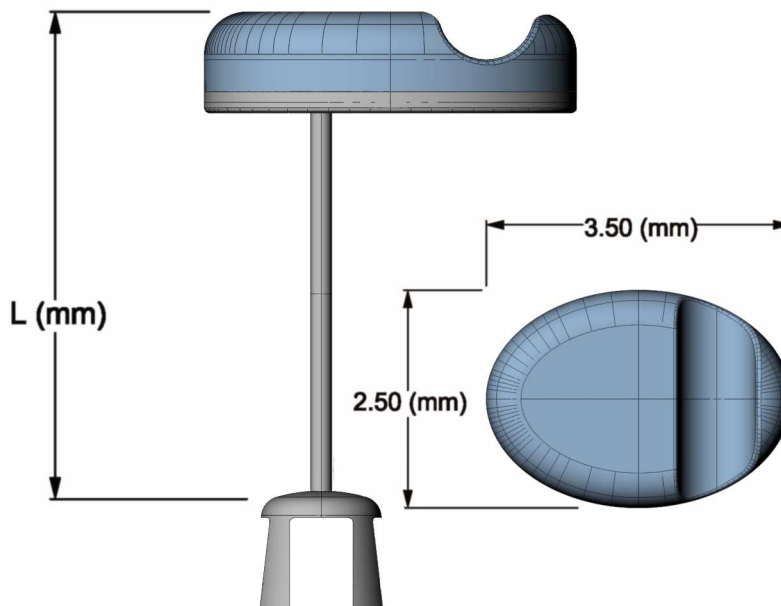
PATENTED

Prosthesis with fixed length: from 3.00 mm to 8.00 mm

- HAP FLANGE – HAP flange can be placed directly in touch with tympanic membrane
- TYMPANUM FIXATION – Fixation of the prosthesis to the tympanum, led by the porosity, is possible thanks a double work: fisical link that fibroblasty creates entering the pores and chemical link thanks to hydroxilapatite bioactivity
- TITANIUM STRUCTURE – Titanium is a bioinert material, largely tested in surgery fields and with high mechanical resistance and lightness



A little groove is predisposed for the malleus handle and if the malleus handle is not in site, the flange of the prosthesis can be put directly in touch with the tympanic membrane: the smoothed edges of the groove doesn't create decubitus.



| Code | L (mm) |
|---------------|--------|
| PAP 07.66.175 | 1.75 |
| PAP 07.66.200 | 2.00 |
| PAP 07.66.225 | 2.25 |
| PAP 07.66.250 | 2.50 |
| PAP 07.66.275 | 2.75 |
| PAP 07.66.300 | 3.00 |
| PAP 07.66.325 | 3.25 |
| PAP 07.66.350 | 3.50 |
| PAP 07.66.400 | 4.00 |
| PAP 07.66.450 | 4.50 |
| PAP 07.66.500 | 5.00 |

Wire \varnothing : 0.20 mm
Ti Bell Inside \varnothing : 1.10 mm - Ti Bell Outside \varnothing : 1.20 mm
Weight: from 23,5 mg (PAP 07.66.175) to 24,2 mg (PAP 07.66.500)

Packaging

Dispenser box containing 6 sterile, individually packaged implants.