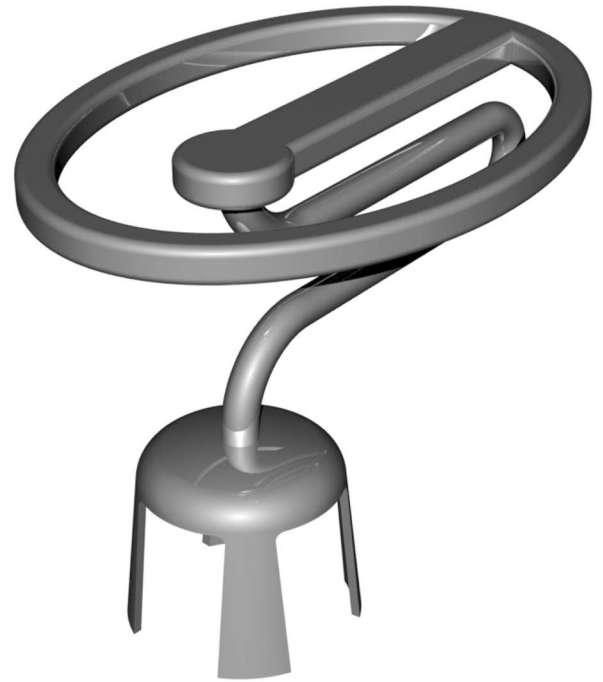


CODE
PAP 07.64

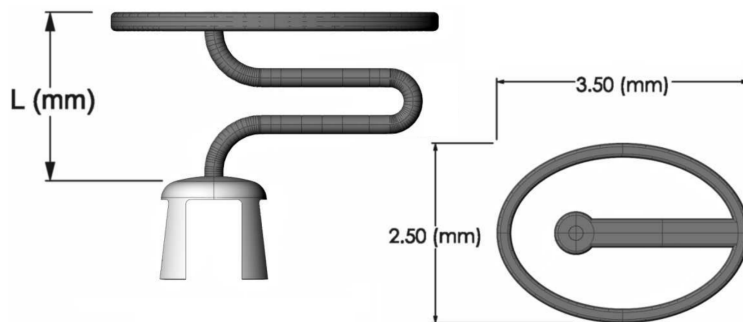
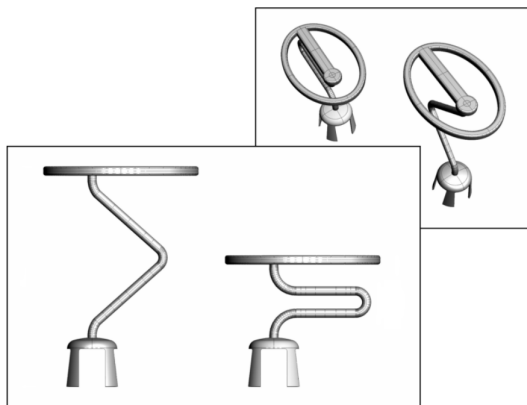
TITANIUM Adjustable Partial

TI: Titanium ASTM F67 Gr. 2

- WINDOWED (OPENED) FLANGE – it allows the clear view of the below surgery field
- TITANIUM STRUCTURE – Titanium is a bioinert material, largely tested in surgery fields and with high mechanical resistance and lightness
- EXTENSIBLE (ADJUSTABLE) STEM – the stem is extensible through the traction and shortable through the compression
- GOOD SOUND WAVE CONDUCTIVITY – oscillometric tests using Laser/Doppler show the unchanged conductivity of the sound wave in all stem configurations



MRI compatible till 3 Tesla.



Packaging:
1 product each box

Code	L (mm)
PAP 07.64	From 1.50 to 5.50

The functional length excluding the thickness of the flange can reach 0.75 mm, if the stem is over-compressed.

Wire \varnothing : 0.20 mm
Bell Outside \varnothing : 1.20 mm
Bell Inside \varnothing : 1.10 mm
Weight: 3.77 mg