

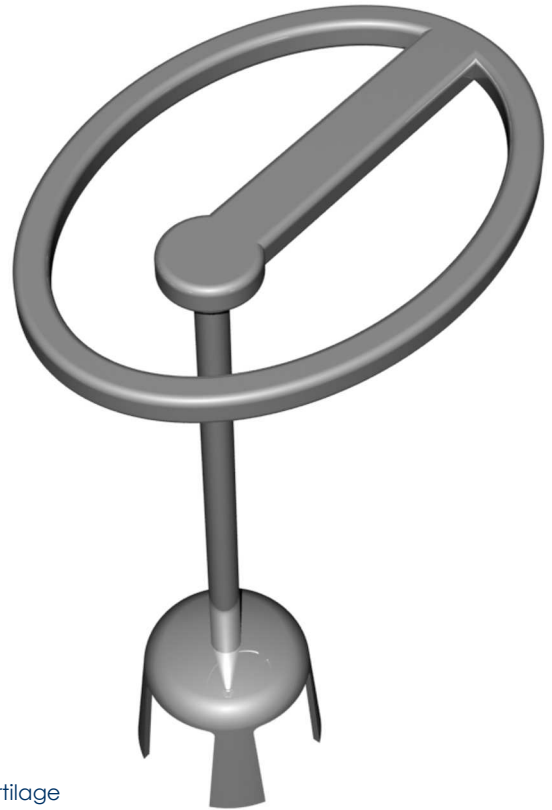
TITANIUM Partial

CODE
PAP 07.62

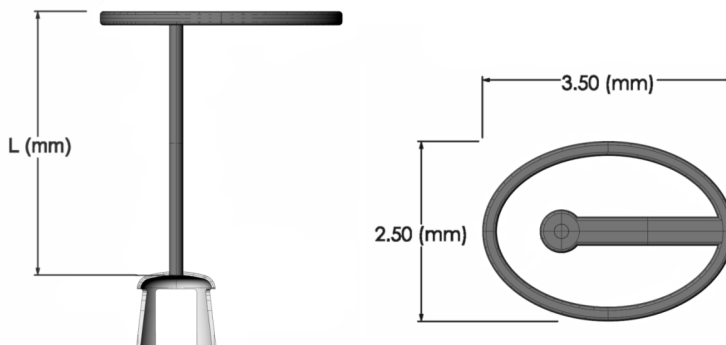
TI: Titanium ASTM F67 Gr. 2

Prosthesis with fixed length: from 1.75 mm to 5.00 mm

- **WINDOWED (OPENED) FLANGE** – it allows the clear view of the below surgery field.
- **TITANIUM STRUCTURE** – Titanium is a bioinert material, largely tested in surgery fields and with high mechanical resistance and lightness.



It would be better to put an autologous cartilage sheet between the prosthesis and neotympanum reducing possibility of encapsulation and rejection.



Wire \varnothing : 0.20 mm
Bell Inside \varnothing : 1.10 mm - Bell Outside \varnothing : 1.20 mm
Weight: from 3,15 mg (PAP 07.62.175) to 3,6 mg (PAP 07.62.500)

Code	L (mm)
PAP 07.62.175	1.75
PAP 07.62.200	2.00
PAP 07.62.225	2.25
PAP 07.62.250	2.50
PAP 07.62.275	2.75
PAP 07.62.300	3.00
PAP 07.62.325	3.25
PAP 07.62.350	3.50
PAP 07.62.400	4.00
PAP 07.62.450	4.50
PAP 07.62.500	5.00

Packaging

Dispenser box containing 6 sterile, individually packaged implants.