

Dense AUDIOLITE® and Audio-PE® Adjustable Total Prosthesis

CODE
TAP 07.40

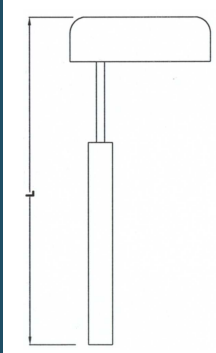
Audiolite®: Bioactive calcium hydroxylapatite ceramic
PE: High molecular weight porous polyethylene

Dimensions

Total length: 8.00 mm
Flange diameter: 3.50 mm
Platinum wire diameter: 0.20 mm
Audio-PE diameter: 0.75 mm

Packaging

Dispenser box containing 6 sterile,
individually packaged implants.

	Total length (L) mm	Code
	8.00	TAP 07.40

Dense AUDIOLITE® and Audio-PE® Adjustable Partial Prosthesis

CODE
PAP 07.41

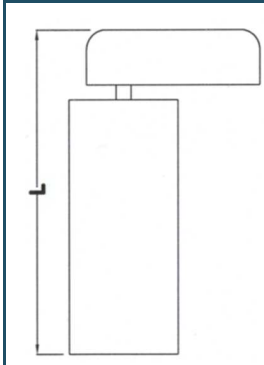
Audiolite®: Bioactive calcium hydroxylapatite ceramic
PE: High molecular weight porous polyethylene

Dimensions

Total length: 6.50 mm
Flange diameter: 3.50 mm
Platinum wire diameter: 0.25 mm
Audio-PE columella:
external diameter: 2.20 mm
inner diameter: 1.40 mm

Packaging

Dispenser box containing 6 sterile,
individually packaged implants.

	Total length (L) mm	Code
	6.50	PAP 07.41

Dense AUDIOLITE® Open Tympanoplasty Partial Prosthesis

CODE
TPL 07.45

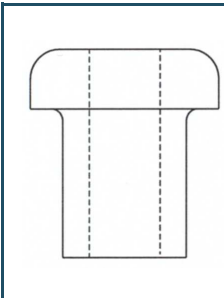
Audiolite®: Bioactive calcium hydroxylapatite ceramic

Dimensions

Total length: 3.50 mm
Total drilled flange diameter: 4.00 mm
Inside diameter: 1.40 mm

Packaging

Dispenser box containing 6 sterile,
individually packaged implants.

	Total length (L) mm	Code
	3.50	TPL 07.45

Dense AUDIOLITE® and Audio-PE® Adjustable Malleus-Stapes Prosthesis

CODE
TAP 07.42

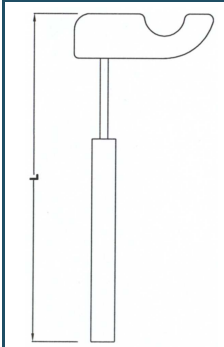
Audiolite®: Bioactive calcium hydroxylapatite ceramic
PE: High molecular weight porous polyethylene

Dimensions

Total length: 8.00 mm
Flange diameter: 3.50 mm
Platinum wire diameter: 0.20 mm
Audio-PE diameter: 0.75 mm

Packaging

Dispenser box containing 6 sterile,
individually packaged implants.

	Total length (L) mm	Code
	8.00	TAP 07.42

CODE
PAP 07.43

Dense AUDIOLITE® and Audio-PE® Adjustable Malleus-Footplate Prosthesis

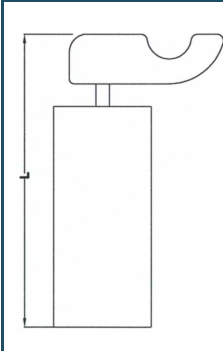
Audiolite®: Bioactive calcium hydroxylapatite ceramic
PE: High molecular weight porous polyethylene

Dimensions

Total length: 6.50 mm
Flange diameter: 3.50 mm
Platinum wire diameter: 0.25 mm
Audio-PE columella:
external diameter: 2.20 mm
inner diameter: 1.40 mm

Packaging

Dispenser box containing 6 sterile,
individually packaged implants.

	Total length (L) mm	Code
	6.50	PAP 07.43

CODE
TPL 07.44

Dense AUDIOLITE® Footplate Prosthesis

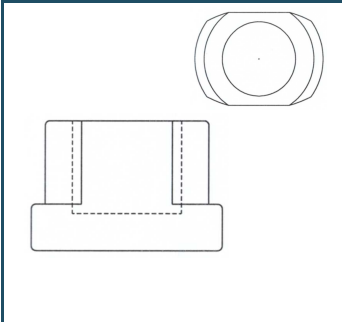
Audiolite®: Bioactive calcium hydroxylapatite ceramic

Dimensions

Footplate size: 2.00 x 1.20 mm
Inner diameter: 0.80 mm
Added implant length: 0.50 mm

Packaging

Dispenser box containing 6 sterile,
individually packaged implants.

	Total length (L) mm	Code
	3.50	TPL 07.44