

Audio-HA® 75° Oval Head Partial Prosthesis

CODE
PAP 07.16

HA: Bioactive calcium hydroxylapatite ceramic

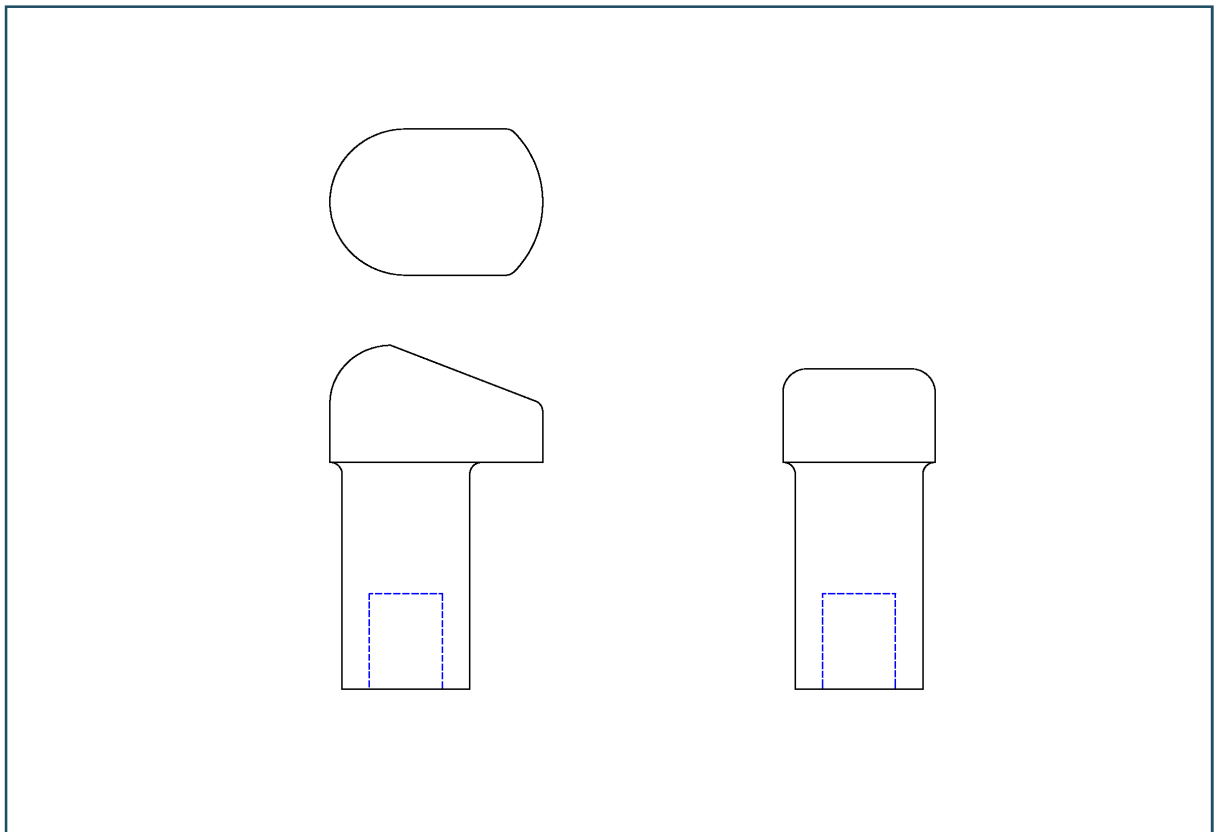
It replaces either the incus or the incudo-malleolar block.

The offset columella and the shape of the flange make it possible to see the head of the stapes while positioning the prosthesis and aligning the stapes-prosthesis axis.

The oval design of the flange prevents sharp corners from coming in contact with the tympanic membrane.

The thickness of the flange allows the creation of a indentation for the handle of the malleus (use diamond bur under continuous irrigation).

The flange can be bound to the tympanic membrane by fibrine glue.



Dimensions

Total length (mm):

3.00 - 3.50 - 4.00

4.50 - 5.00

Flange maximum length: 4.00 mm

Flange width: 2.50 mm

Flange thickness: 0.80 mm

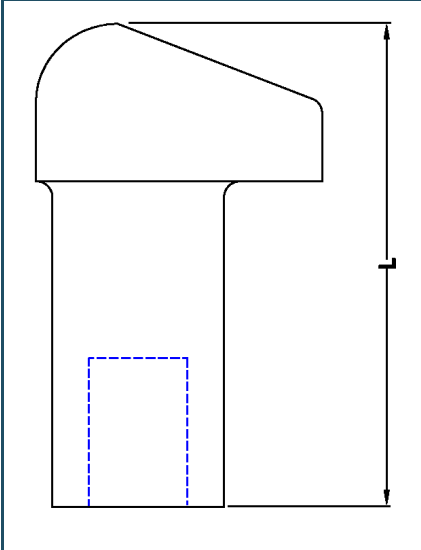
Columella:

outside diameter: 2.00 mm

inside diameter: 1.20 mm

Packaging

Dispenser box containing 6 sterile,
individually packaged implants.

	Total length (L) mm	Code
	3.00	PAP 07.16.300
	3.50	PAP 07.16.350
	4.00	PAP 07.16.400
	4.50	PAP 07.16.450
5.00	PAP 07.16.500	

