

Audio-HA® Partial Prosthesis

CODE
PAP 07.12

HA: Bioactive calcium hydroxylapatite ceramic

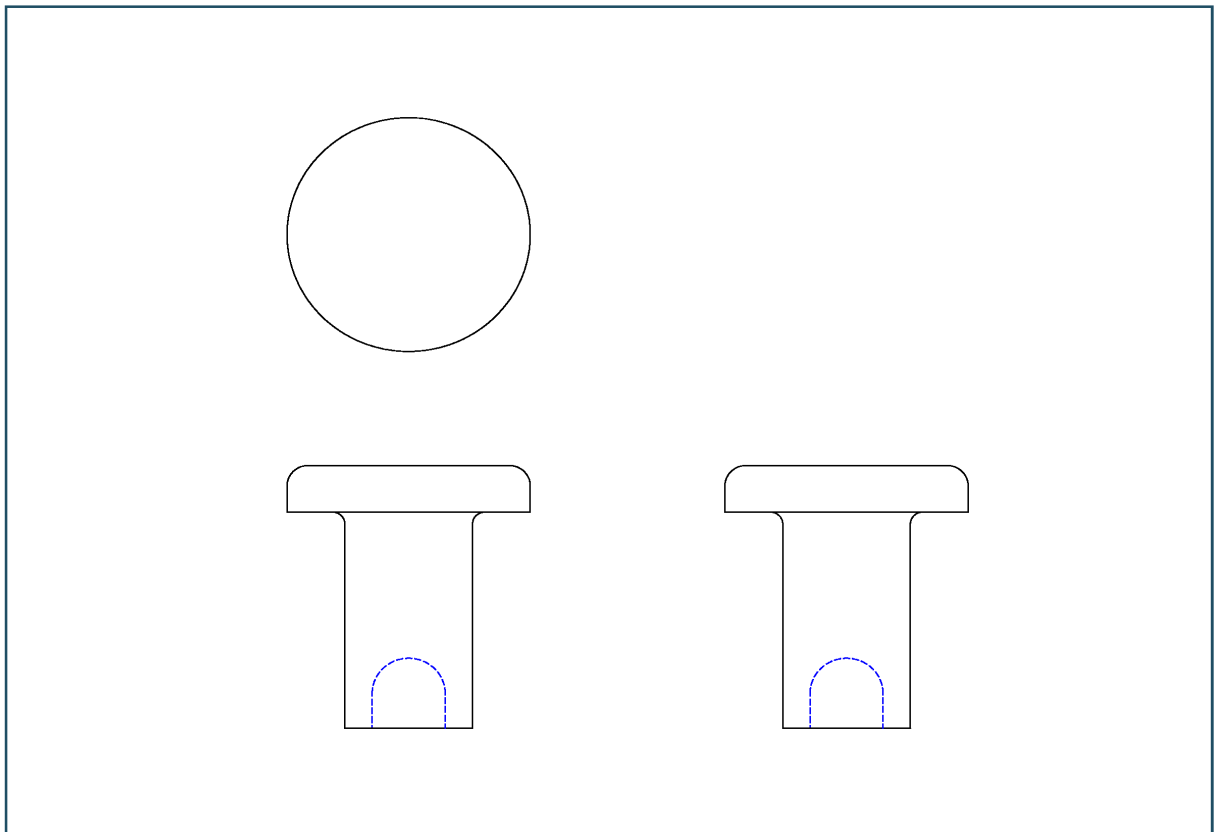
It replaces either the incus or the incudo-malleolar block.

The interposition of cartilage or bone paste between the flange and the tympanic membrane is not required.

The hollow distal end seats on the head of the stapes.

To accommodate individual requirements, after measuring (Microsurgical Measuring Device: Catalog Number 02.14), the length of the prosthesis can be trimmed using a high speed rotating diamond bur, under continuous irrigation.

The flange can be bound to the tympanic membrane by fibrine glue.

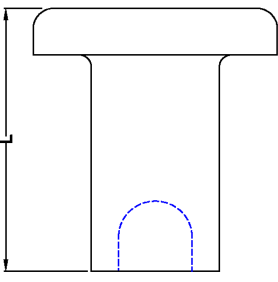


Dimensions

Total length (mm):
3.00 - 3.50 - 4.00 - 4.50 - 5.00
Flange diameter: 4.00 mm
Flange thickness: 0.80 mm
Columella outside diameter: 2.00 mm
Hole diameter: 1.20 mm
Hole dept approximately: 1.50 mm

Packaging

Dispenser box containing 6 sterile, individually packaged implants.

	Total length (L) mm	Code
	3.00	PAP 07.12.300
	3.50	PAP 07.12.350
	4.00	PAP 07.12.400
	4.50	PAP 07.12.450
5.00	PAP 07.12.500	

