

Audio-PE® Partial Prosthesis

CODE
PAP 07.10

PE: High molecular weight porous polyethylene with pores of approximately 100 microns.
This material stimulates the ingrowth of connective tissue and blood vessels.

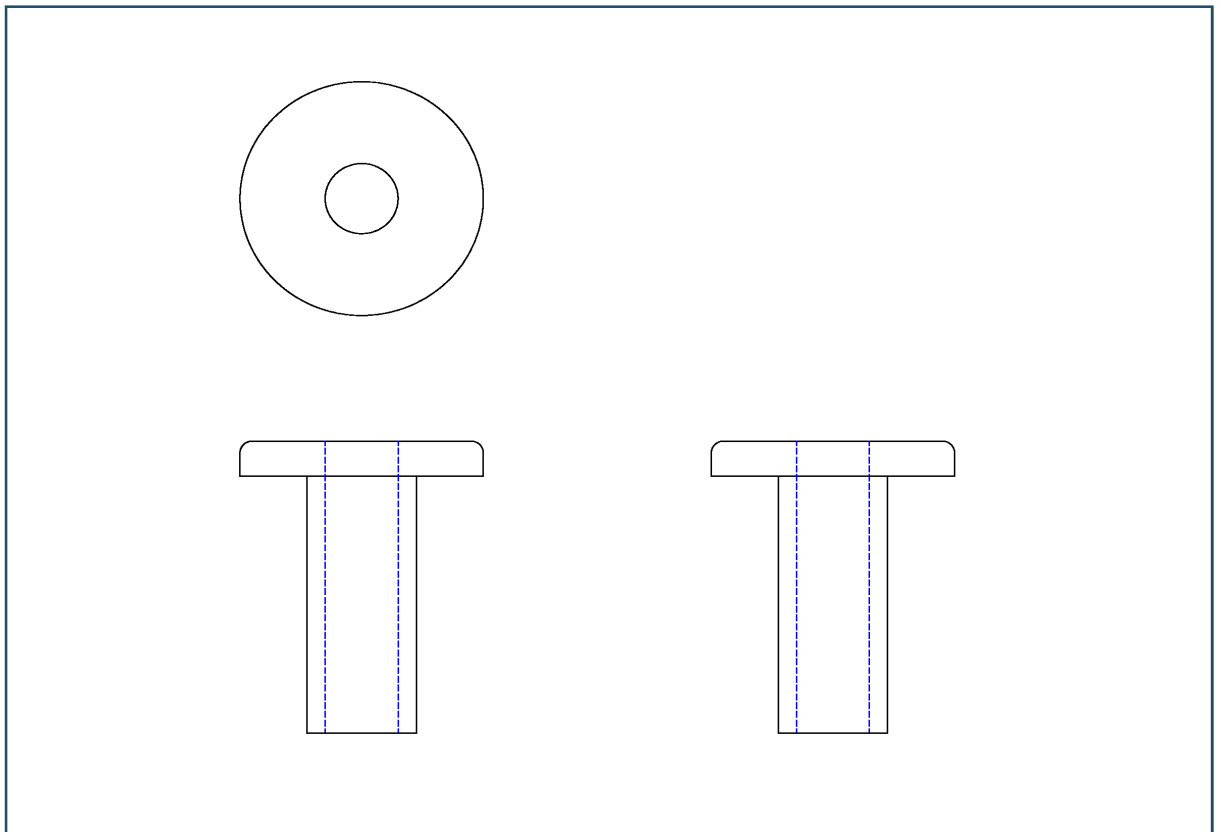
Prosthesis for the replacement of malleus and incus from the tympanic membrane to the head of the stapes.

In order to avoid extrusion, an autogenous cartilage graft must be interposed between the flange of the prosthesis and the tympanic membrane.

The newly formed connective tissue will bind the flange of the prosthesis to the tympanic membrane, and the foot of the prosthesis to the head of the stapes.

The hollow columella allows the surgeon to see the head of the stapes during insertion.

After measuring (Microsurgical Measuring Device: Catalog Number 02.14), the length can be reduced using a cutting blade.

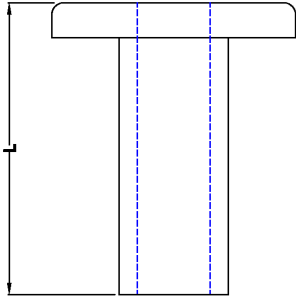


Dimensions

Total length: 5.00 mm.
Flange diameter: 4.00 mm.
Flange thickness: 0.60 mm.
Columella outside diameter: 2.10 mm.
Columella inside diameter: 1.20 mm.

Packaging

Dispenser box containing 6 sterile,
individually packaged implants.

	Total length (L) mm	Code
	5.00	PAP 07.10

